

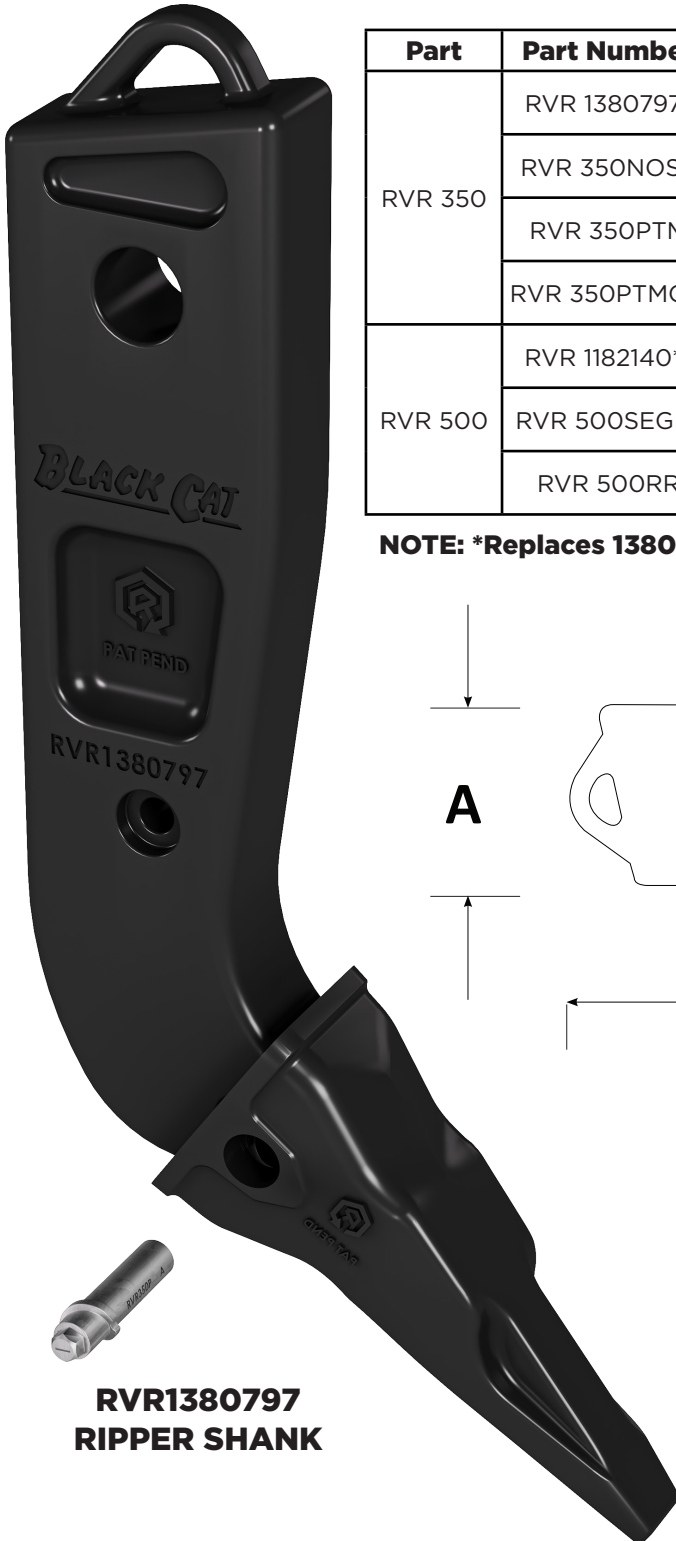


BLACK CAT

WEAR PARTS

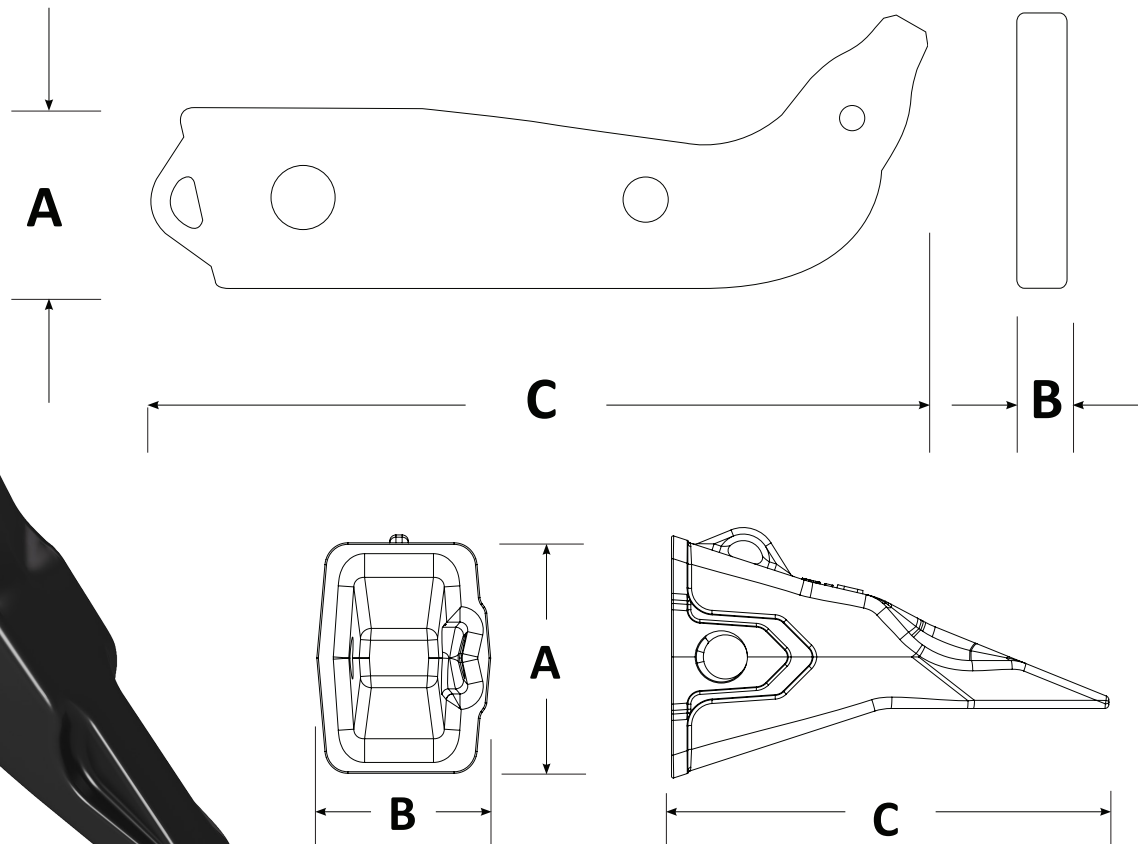


RVR RIPPER SYSTEM



Part	Part Number	Description	Weight	A	B	C
RVR 350	RVR 1380797*	Shank	125.0 lb 56.7 kg	6.86" 174 mm	2.92" 74 mm	28.24" 717 mm
	RVR 350NOSE	Nose	17.0 lb 7.7 kg	6.10" 155 mm	2.92" 74 mm	8.30" 211 mm
	RVR 350PTM	Tooth	29.0 lb 13.2 kg	6.17" 157 mm	4.72" 120 mm	14.13" 359 mm
	RVR 350PTMC12	Tooth with Carbide	31.0 lb 14.1 kg	6.17" 157 mm	4.72" 120 mm	14.13" 359 mm
RVR 500	RVR 1182140**	Shank	1,619.0 lb 734.4 kg	15.75" 400 mm	3.94" 100 mm	98.66" 2,506 mm
	RVR 500SEG **	Nose	146.0 lb 66.2 kg	12.61" 320 mm	3.96" 100 mm	20.47" 520 mm
	RVR 500RR	Tooth	71.0 lb 32.2 kg	8.75" 222 mm	6.18" 157 mm	19.00" 483 mm

NOTE: *Replaces 1380797 & 9J3139, ** Replaces 1038115



**RVR1380797
RIPPER SHANK**



BLACK CAT
WEAR PARTS

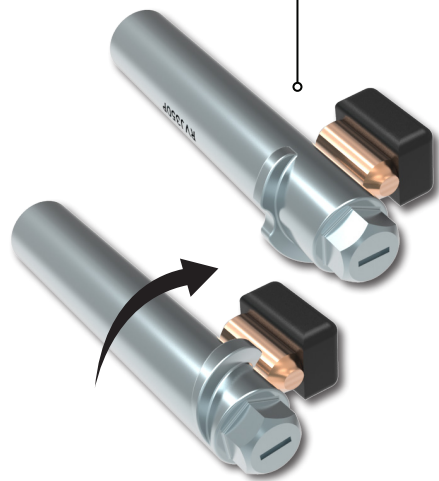
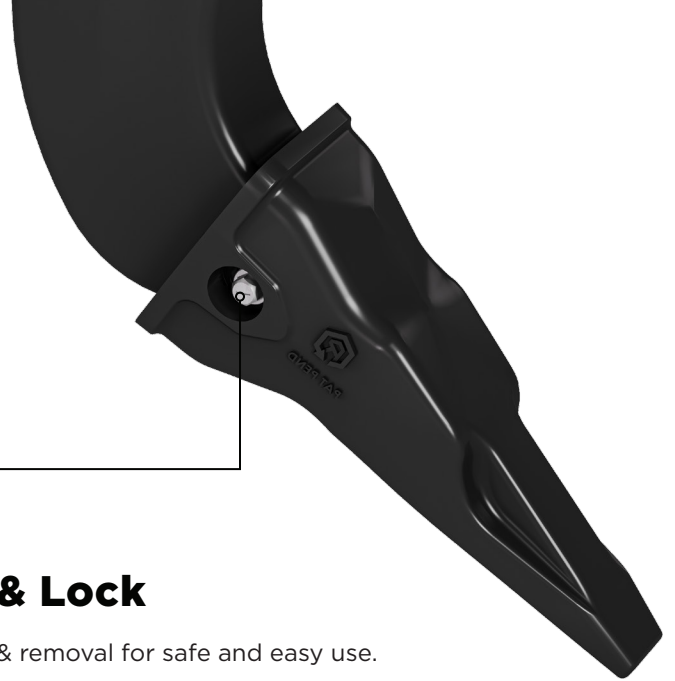


**RVR
RIPPER SYSTEM**



REVOLUTION






- **Fully Stabilized Nose & Pocket**
- **Hammerless Pin for Safe & Easy Installation**
- **Patented Technology**



Hammerless Pin & Lock

- Fully hammerless installation & removal for safe and easy use.
- Accept both imperial or metric socket, female square drive on opposite end.
- Lock and pin may be used on either side of nose.
- Locks with 180° clockwise turn of pin with socket wrench.
- Pin removal pulls out excess material around the pin head.

Fully Stabilized Nose & Tooth Pocket

-  Primary contact for frontal loads. Bottom out fit with pocket mitigates fit erosion through service life.
-  Secondary contact areas for off center frontal loads. Planer bearing areas provide longer service life.
-  Redundant frontal load bearing if the primary and secondary areas are worn from tooth overuse.
-  Front = Primary bearing area for vertical tooth loads. Rear (opposite side) = Reactive load bearing area for vertical loads.
-  V design forces the tooth to center on the nose when heavy side forces are encountered. Preventing pin loading and increases fit integrity.

