



# BLACK CAT

WEAR PARTS



# CABLE SHOVEL SYSTEMS



# REVOLUTION



**Lip Shroud**



**RS Tooth**



**Whisler 12 Adapter**



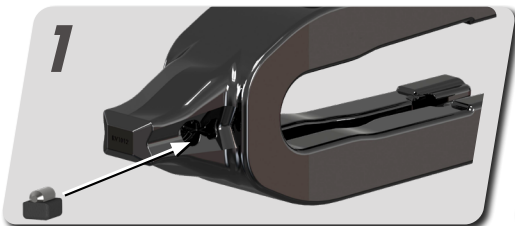
**VT Tooth**



**Berkeley TLC6 Adapter**



**Retainer & Wedge**



**1** Insert lock into cavity of adapter nose



**2** Fit tooth on fully stabilized adapter nose



**3** Insert helical pin and rotate 180 degrees with socket wrench to engage lock

Caterpillar® and other identities and/or trademarks referred to in this publication are the registered marks of the entities noted herein. The use of any trademarks of others than Black Cat Wear Parts Ltd. are solely and exclusively for identification, informational, comparative, and descriptive purposes. Black Cat Wear Parts Ltd. is not affiliated with any owner of such registered marks and does not make, use, or sell any products manufactured by any such entity identified in this publication.

[www.blackcatwearparts.com](http://www.blackcatwearparts.com)  
[sales@blackcatwearparts.com](mailto:sales@blackcatwearparts.com)  
+1-780-465-6666  
1-800-661-6666

**STRONG ENOUGH  
TO ANSWER ANY CALL!**

815.0824

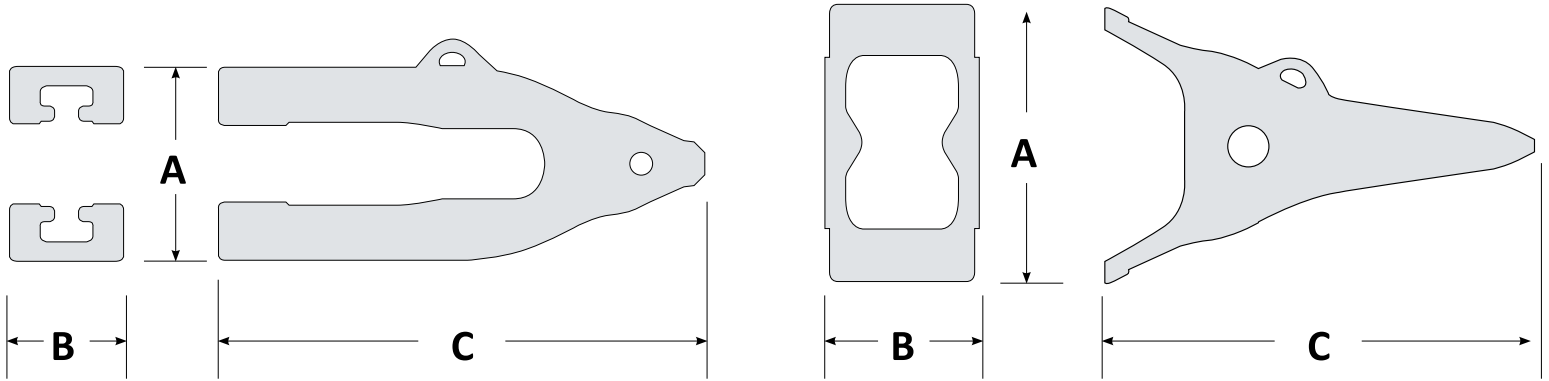


# BLACK CAT

WEAR PARTS



# CABLE SHOVEL SYSTEMS



## Adapter

Part Number	Description	Weight	A	B	C
RVW10	Whisler 10	852.0 lb 386.5 kg	17.00" 432 mm	10.00" 254 mm	42.06" 1,068 mm
RVW12	Whisler 12	834.0 lb 378.3 kg	17.00" 432 mm	10.00" 254 mm	43.50" 1,105 mm
RVWTLC6	Berkeley TLC 6.00	924.0 lb 419.1 kg	17.38" 441 mm	11.38" 289 mm	43.75" 1,111 mm

## Teeth

Part Number	Description	Weight	A	B	C
RVW1012RS	RS Profile	274.0 lb 124.3 kg	18.60" 472 mm	11.00" 279 mm	28.19" 716 mm
RVW1012VT	VT Profile	294.0 lb 133.4 kg	18.60" 472 mm	11.00" 279 mm	29.50" 749 mm

## Shrouds

Part Number	Description	Weight	A	B	C
RVWS1100PH10	P&H Whisler 10	258.0 lb 117.0 kg	10.97" 279 mm	11.00" 279 mm	31.00" 787 mm
RVWS1100PH12	P&H Whisler 12	287.0 lb 130.2 kg	12.38" 314 mm	11.00" 279 mm	27.12" 689 mm
RVWS1000TLC6	Berkeley TLC 6.00	202.0 lb 91.6 kg	10.98" 279 mm	10.14" 258 mm	23.88" 607 mm
E004381-06S	Bucyrus 295	238.0 lb 108.0 kg	10.97" 278 mm	8.75" 222 mm	30.25" 768 mm



## Teeth & Adapters

- Fully stabilized nose & pocket absorbs force from all angles
- Tapered helical pin is inserted & removed easily with socket wrench
- Tooth extends over adapter top & bottom to protect high stress areas from wear
- Self sharpening center rib tooth

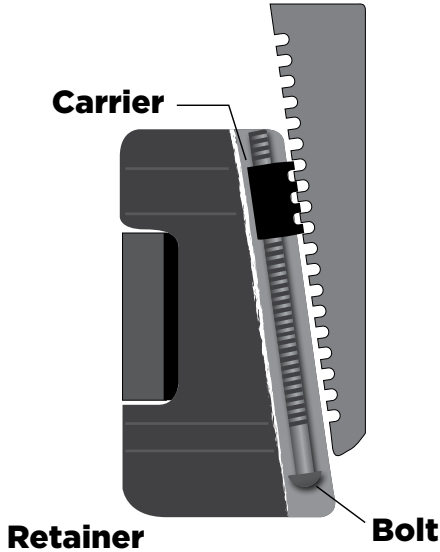


**BLACK CAT**  
WEAR PARTS



**CABLE SHOVEL SYSTEMS**

**Wedge**

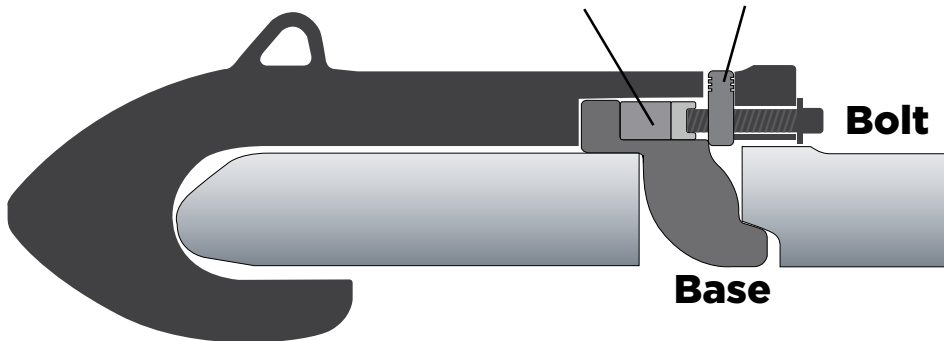


## Wedge & Retainer System

- Retainer is inserted into the lip
- Adapter slides over the lip and retainer
- Wedge is inserted by hand
- Tightening of the screw moves carrier down engaging teeth on wedge
- Wedge is pulled downward, compressing rubber on retainer forcing the adapter rearward on the lip
- Matching serrations on wedge and retainer eliminate wedge travel under load



**Rubber Bolt Seat**      **T-Nut Lock**



## RVS Lip Shroud

- Base fits into lip opening
- Rubber bolt seat is inserted in base
- Shroud slides over lip and base
- T-nut lock is inserted in shroud
- Securing bolt is tightened with socket wrench
- Bolt seat compresses to provide tension

